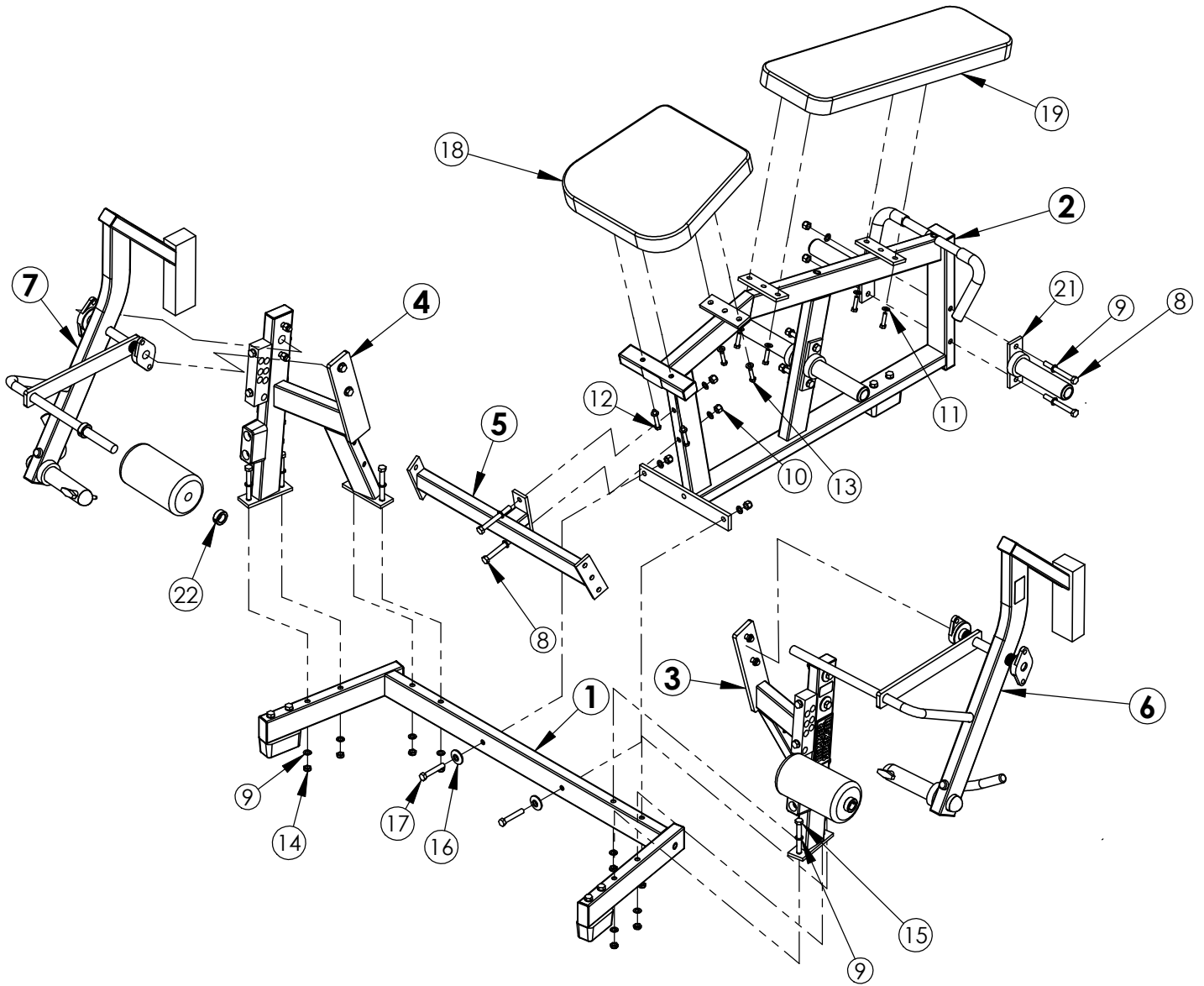


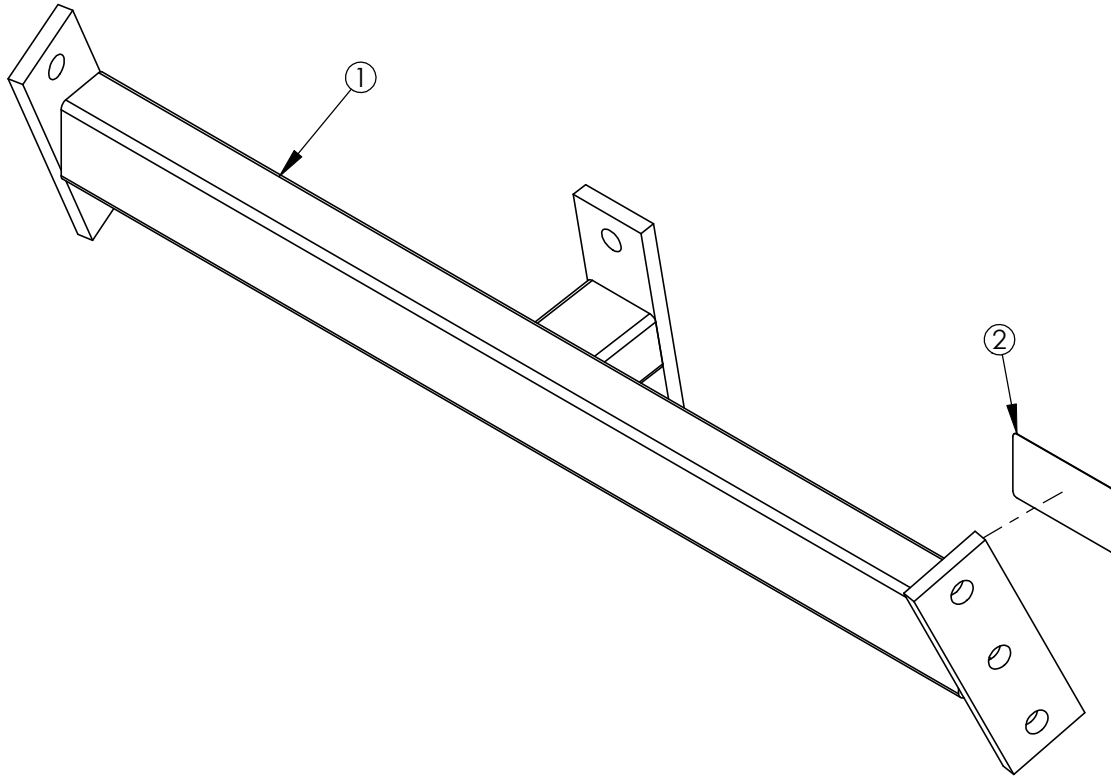
WEIGHT = 285 lb
LENGTH = 71"
WIDTH = 53"
HEIGHT = 39"

HAMMER STRENGTH EQUIPMENT ILLC EXPLODED



ITEM NO.	QTY.	PART NO.	DESCRIPTION
1	1	ILLC-CFX-0	ASSY, ILLC, FRONT FRAME
2	1	ILLC-CST-2	ASSY, ILLC, SEAT FRAME
3	1	ILLC-CSFL-0	ASSY, ILLC, LEFT SIDE FRAME
4	1	ILLC-CSFR-0	ASSY, ILLC, RIGHT SIDE FRAME
5	1	ILLC-CETC-0	ASSY, ILLC, REAR X-MEM
6	1	ILLC-CMAR-2	ASSY, ILLC, RIGHT MARM
7	1	ILLC-CMAL-2	ASSY, ILLC, LEFT MARM
8	6	HHB.5X4.5	1/2 X 4 1/2 BOLT
9	30	WASH.5STAR	1/2" INTERNAL LOCK WASHER
10	8	NUT.5LOCK	1/2 DIA THICK LOCK NUT
11	8	WASH.375SAE	3/8" SAE FLAT WASHER
12	2	HHB.375X2.5	STEEL BOLT 3/8 X 2.5
13	6	HHB.375X1.5	STEEL BOLT 3/8 X 1.5
14	8	NUT.5JAMLOCK	1/2 THIN LOCK NUT
15	8	HHB.5X4	1/2 X 4 BOLT
16	2	H-BACK-WASH	BACKING WASHER
17	2	HHB.5X3	1/2 X 3 BOLT
18	1	U-16-11H	16X11 PAD
19	1	U-33-19	BACK PAD
20	2	U-RP1	ROLLER
21	4	H-HORN-ASSY	ASSY, WEIGHT HORN
22	4	H-LCOLLAR1	1" LOCK COLLAR

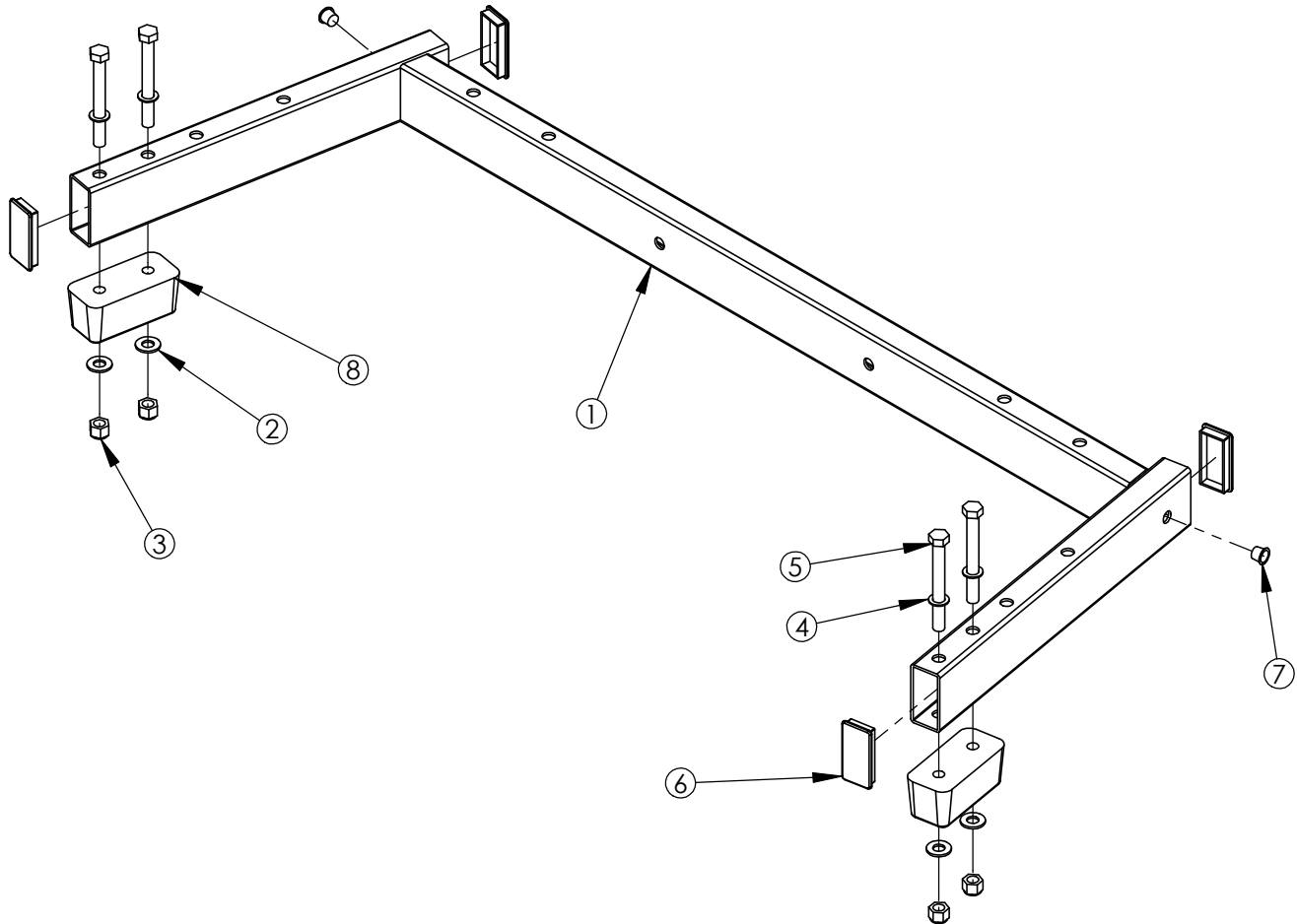
**HAMMER STRENGTH EQUIPMENT
 ILLC-CETC-0, ASSY, ILLC, REAR X-MEM**



WEIGHT = 10 LB
 LENGTH = 29"
 WIDTH = 8"
 HEIGHT = 7"

ITEM NO.	QTY.	PART NO.	DESCRIPTION
1	1	ILLC-ETC-0	WLDMT, ILLC, REAR C-MEM
2	1	PATENT	PATENT DECAL

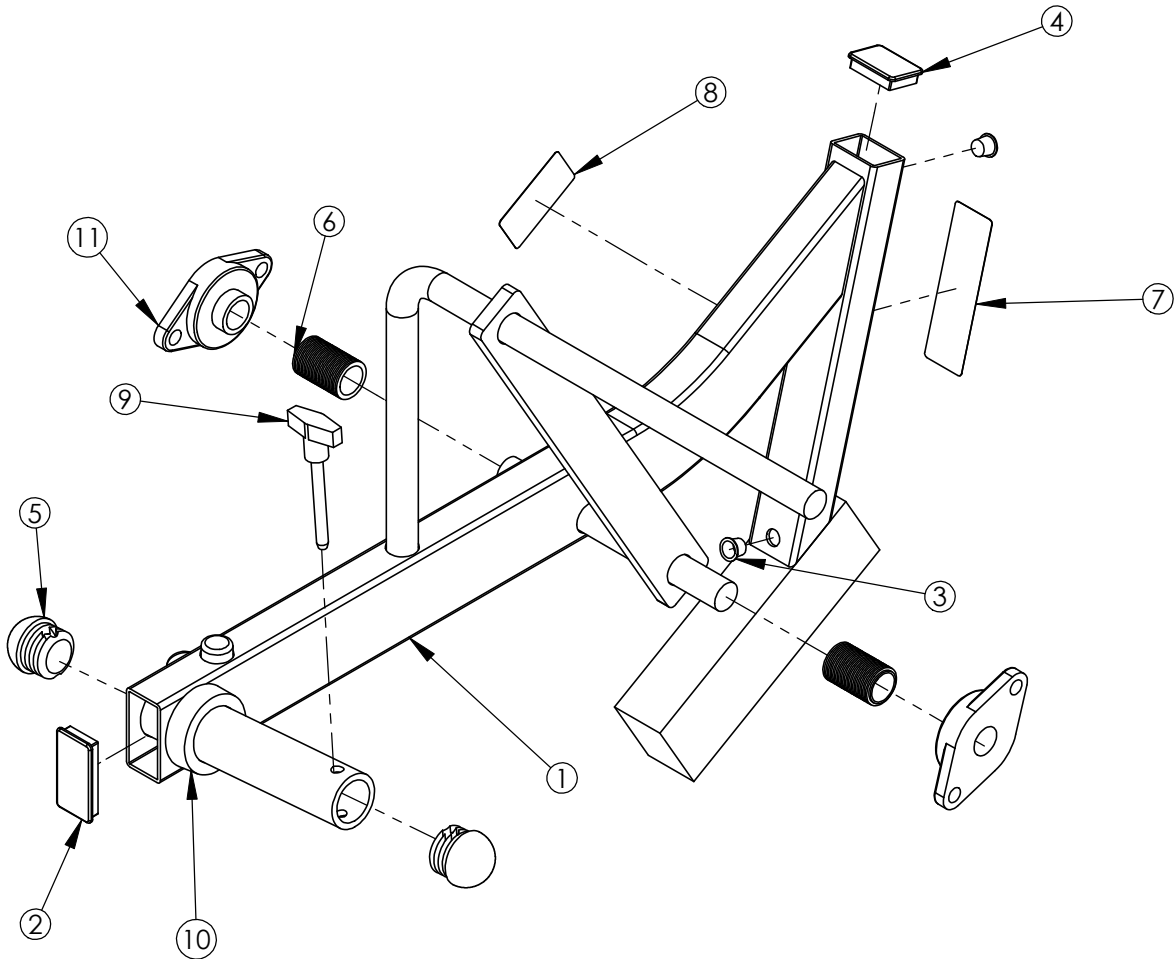
**HAMMER STRENGTH EQUIPMENT
ILLC-E03, ASSY, ILLC, FRONT FRAME**



ITEM NO.	QTY.	PART NO.	DESCRIPTION
1	1	ILLC-FX-0	WLDMT, ILLC, FRONT FRAME
2	4	WASH.5SAE	1/2" SAE FLAT WASHER
3	4	NUT.5LOCK	1/2 DIA THICK LOCK NUT
4	4	WASH.5STAR	1/2" INTERNAL LOCK WASHER
5	4	HHB.5X4.5	1/2 X 4 1/2 BOLT
6	4	RC1530-1Q1	CAP:1-1/2 X 3 RECTANGLE PLUG
7	2	H-HPLUG (REG)	9/16IN HOLE PLUG
8	2	H-BUMP-MED	MM2 MEDIUM

WEIGHT = 26 LB
 LENGTH = 53"
 WIDTH = 19"
 HEIGHT = 5 1/2"

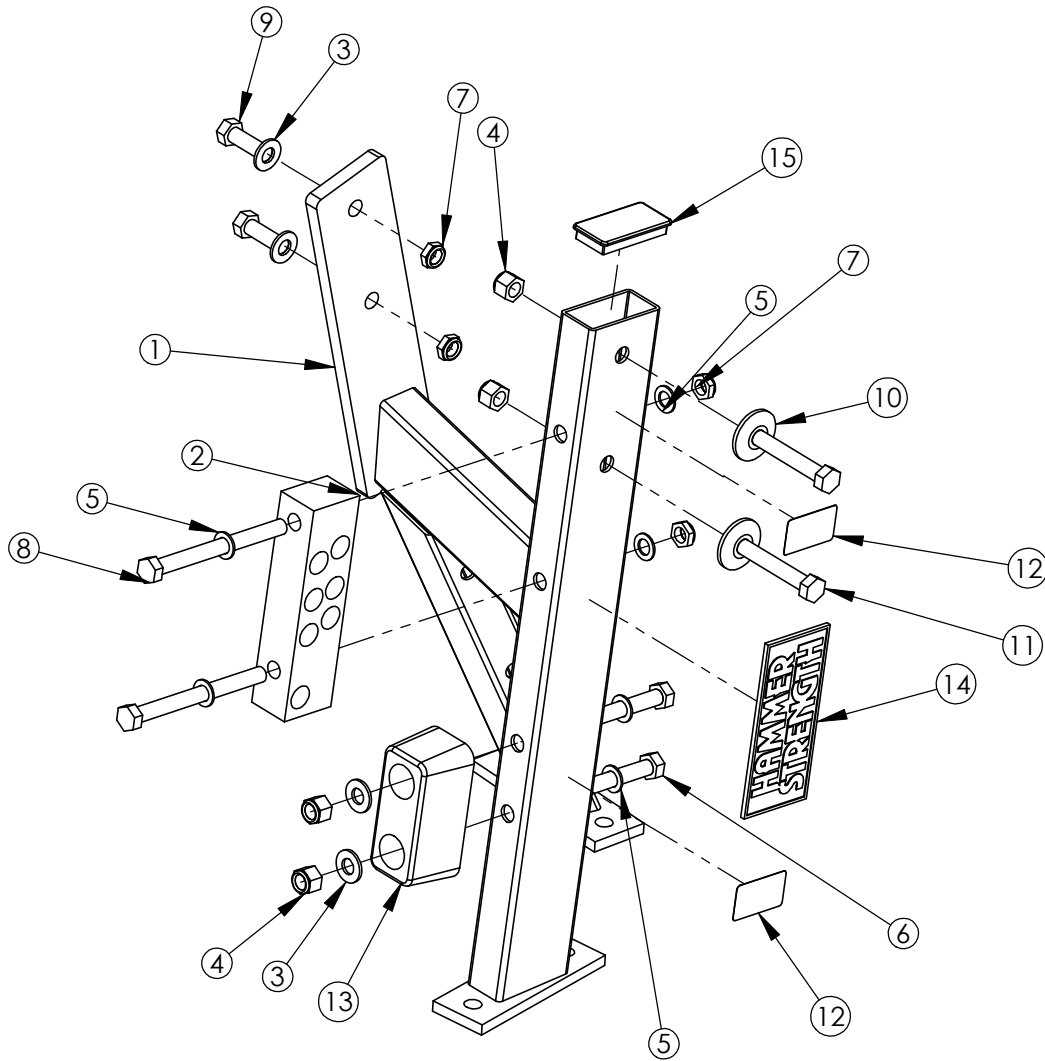
**HAMMER STRENGTH EQUIPMENT
ILLC-CMAL-2, ASSY, ILLC, LEFT MARM**



ITEM NO.	QTY.	PART NO.	DESCRIPTION
1	1	ILLC-MAL-1	WLDMT, ILLC, LEFT MARM
2	1	RC1530-1Q1	CAP:1-1/2 X 3 RECTANGLE PLUG
3	2	H-HPLUG (REG)	9/16IN HOLE PLUG
4	1	RC1520-1Q1	CAP:1-1/2 X 2 RECTANGLE PLUG
5	2	RUBCAP1-2	RUBBER CAP #1
6	2	ACCORDIAN	SHAFT GUARD
7	1	IDIILC	PRODUCT DECAL
8	1	8773701	SERIAL NUMBER
9	1	SELECTOR PIN-3	SELECTOR PIN 3 IN.
10	1	H-RUBRNG	MM5 RING
11	2	H-BEAR-SML	SMALL BEARING

WEIGHT = 49.6 LB
LENGTH = 33"
WIDTH = 23"
HEIGHT = 26"

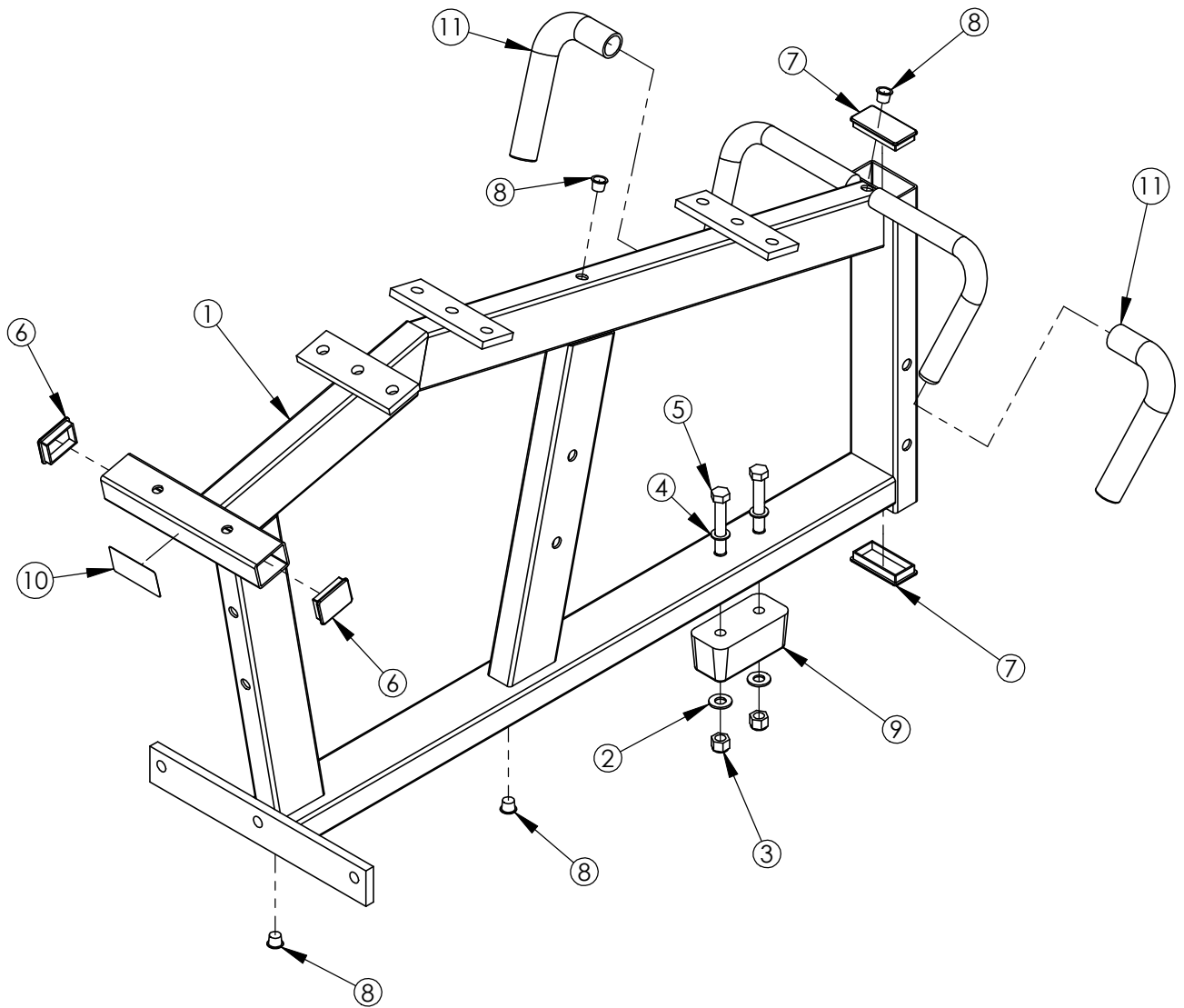
HAMMER STRENGTH EQUIPMENT
ILLC-CSFL-0, ASSY, ILLC, LEFT SIDE FRAME



ITEM NO.	QTY.	PART NO.	DESCRIPTION
1	1	ILLC-SFL-0	WLDMT, ILLC, LEFT SIDE FRAME
2	1	ILLC-20-0	ILLC MARM STOP
3	4	WASH.5SAE	1/2" SAE FLAT WASHER
4	4	NUT.5LOCK	1/2 DIA THICK LOCK NUT
5	6	WASH.5STAR	1/2" INTERNAL LOCK WASHER
6	2	HHB.5X4.5	1/2 X 4 1/2 BOLT
7	4	NUT.5JAMLOCK	1/2 THIN LOCK NUT
8	2	HHB.5X5.5	1/2 X 5 1/2 BOLT
9	2	HHB.5X1.5	BOLT, HEX HEAD 1/2 X 1-1/2
10	2	H-BACK-WASH	BACKING WASHER
11	2	HHB.5X3	1/2 X 3 BOLT
12	2	STAY CLEAR	STAY CLEAR DECAL
13	1	H-BUMP-MED	MM2 MEDIUM
14	1	H-NAME PLATE	NAMEPLATE (45156-P)
15	1	RC1530-1Q1	CAP:1-1/2 X 3 RECTANGLE PLUG

WEIGHT = 30LB
 LENGTH = 25"
 WIDTH = 13 1/2"
 HEIGHT = 14 1/2"

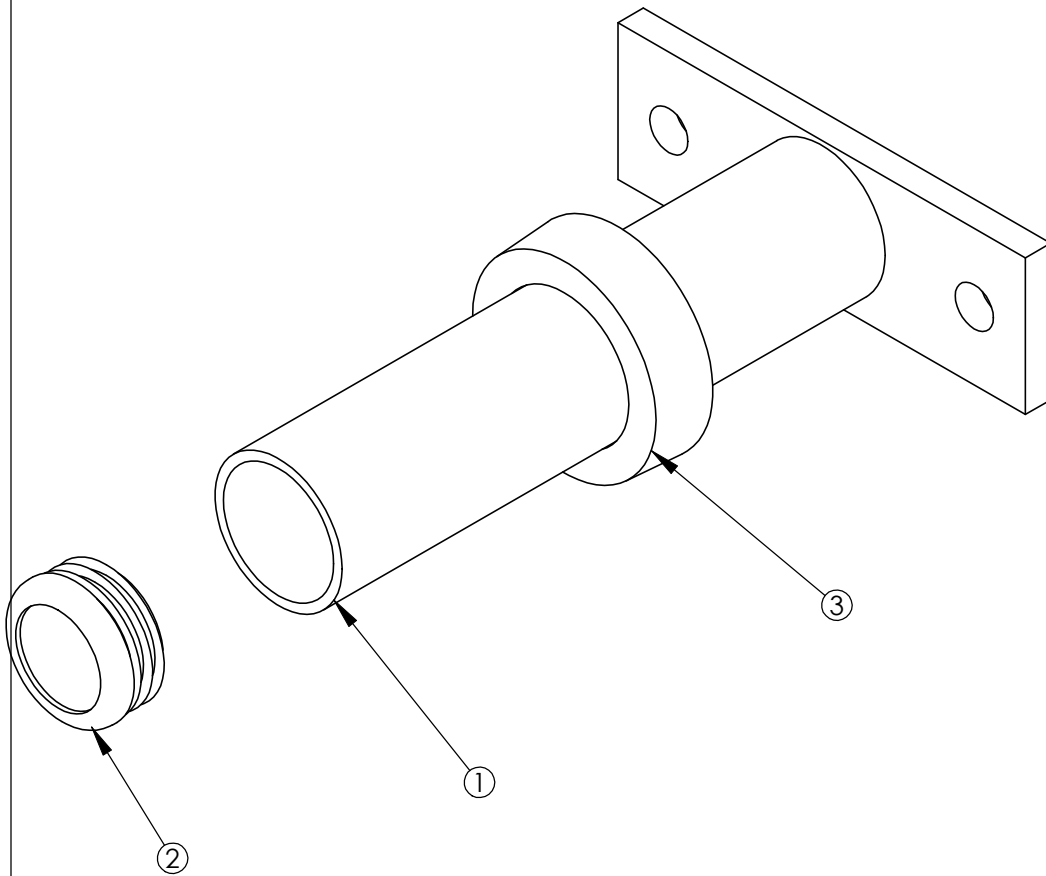
**HAMMER STRENGTH EQUIPMENT
ILLC-CST-2, ASSY, ILLC, SEAT FRAME**



ITEM NO.	QTY.	PART NO.	DESCRIPTION
1	1	ILLC-ST-1	WLDMT, ILLC, SEAT FRAME
2	2	WASH.5SAE	1/2" SAE FLAT WASHER
3	2	NUT.5LOCK	1/2 DIA THICK LOCK NUT
4	2	WASH.5STAR	1/2" INTERNAL LOCK WASHER
5	2	HHB.5X3	1/2 X 3 BOLT
6	2	RC1520-1Q1	CAP:1-1/2 X 2 RECTANGLE PLUG
7	2	RC1530-1Q1	CAP:1-1/2 X 3 RECTANGLE PLUG
8	4	H-HPLUG (REG)	9/16IN HOLE PLUG
9	1	H-BUMP-MED	MM2 MEDIUM
10	1	8773701	SERIAL NUMBER
11	2	H-GRIP	HANDLE GRIPS (.938X16)

WEIGHT = 55 lb
 LENGTH = 47"
 WIDTH = 17"
 HEIGHT = 26 1/2"

HAMMER STRENGTH EQUIPMENT
H-HORN-ASSY: WEIGHT HORN ASSEMBLY



ITEM NO.	QTY.	PART NO.	DESCRIPTION
1	1	H-HORN	WLDMT, WEIGHT HORN
2	1	8078001	CAP, END 1.75 DIA RD 14-20 GA
3	1	H-RUBRNG	MM5 RING

WEIGHT = 3 1/4 lb
 LENGTH = 8 5/8"
 WIDTH = 6"
 HEIGHT = 3"